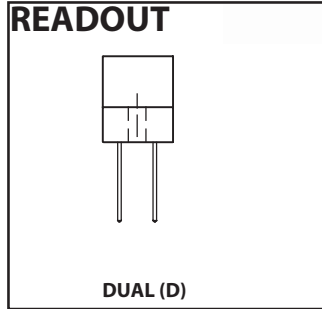
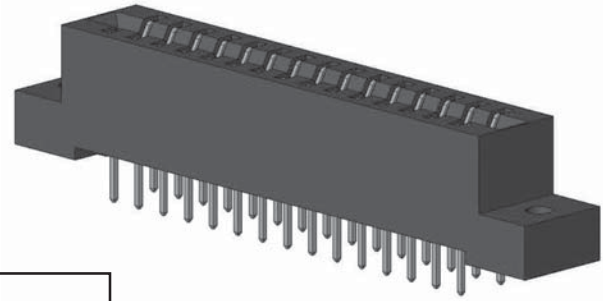




.156" [3.96mm] Contact Centers, .610" Insulator Height
Dip Solder/Wire Wrap/Right Angle for .093" [2.36] or .125" [3.18] Mating PCB

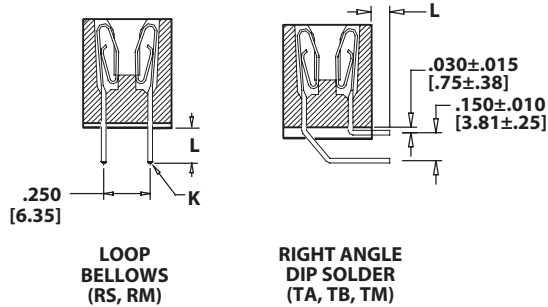
SPECIFICATIONS

- Accommodates $.093" \pm .008"$ [2.36 ± .20] or $.125" \pm .008"$ [3.18 ± .20] mating PCB (Consult factory for $.031" \pm .008"$ [.79 ± .20] boards)
- PBT, PPS or PA9T insulator
- Molded-in key available
- 3 amp current rating per contact
- 30 milli ohm maximum at rated current



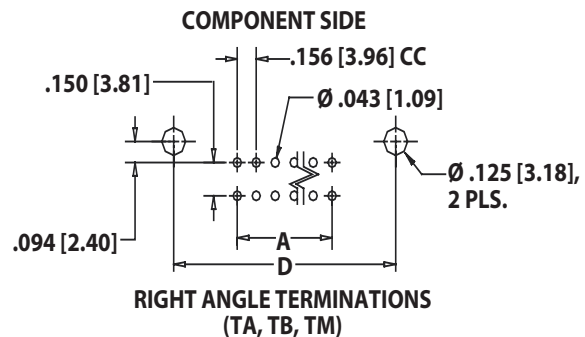
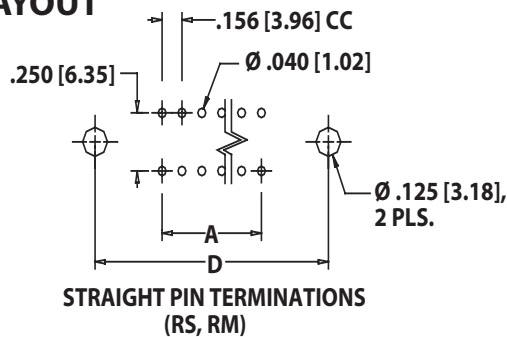
Sullins Edgecards

TERMINATION TYPE

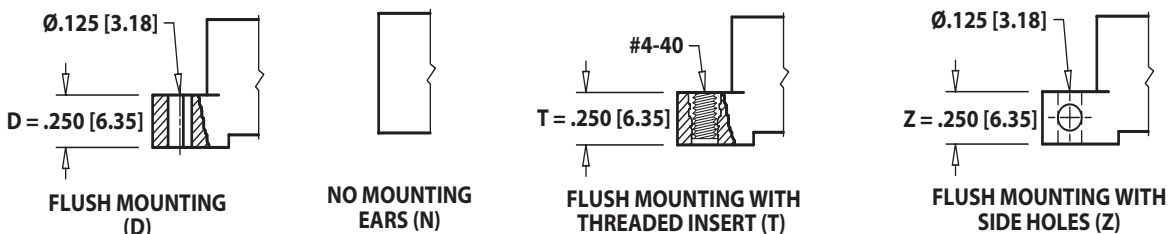


TERMINATION TYPE		POST CROSS SECTION (K)	POST LENGTH L ±.025 [.64]	FITS MIN. HOLE SIZE
RS	Dip Solder	.025 [.64] SQUARE	.190 [4.83]	.040 [1.02]
RM	Wire Wrap	.025 [.64] SQUARE	.560 [14.20]	.040 [1.02]
TA	Right Angle	.025 [.64] SQUARE	.100 [2.54]	.043 [1.09]
TB	Right Angle	.025 [.64] SQUARE	.180 [4.57]	.043 [1.09]
TM	Right Angle	.025 [.64] SQUARE	.250 [6.35]	.043 [1.09]

PCB LAYOUT



MOUNTING STYLE





.156" [3.96mm] Contact Centers, .610" Insulator Height
Dip Solder/Wire Wrap/Right Angle for .093" [2.36] or .125" [3.18] Mating PCB

Sullins Edgecards

PART NUMBER CODING

E B M 43 D RM D - S273

MATERIALS (Insulator/Contact)
 E = PBT/Phosphor Bronze (Standard)
 R = PPS/Phosphor Bronze
 G = PA9T/Phosphor Bronze
 A = PPS/Beryllium Copper
 J = PA9T/Beryllium Copper
 (Consult Factory For Other Materials)

CONTACT FINISH - RoHS Compliant
 All platings are Lead Free and have .000050" Nickel underplate

	Contact Surface	Termination
B =	.000010" Gold	.000100" Pure Tin, Matte
C =	.000030" Gold	.000100" Pure Tin, Matte
G =	.000010" Gold	.000005" Gold
Y =	.000030" Gold	.000005" Gold
	Contact Surface	Overall Plating
S =	.000010" Gold	.000010" Gold
M =	.000030" Gold	.000010" Gold
E =	.000100" Pure Tin, Matte	.000100" Pure Tin, Matte

CONTACT CENTERS
 M = .156" [3.96mm]

MODIFICATION CODE (Consult Factory)
 -S273 = FOR .093" ± .008" [2.36 ± .20] THICK MATING PCB
 -S664 = FOR .125" ± .008" [3.18 ± .20] THICK MATING PCB

MOUNTING STYLE (Opposite Page)
 N = No Mounting
 D = Flush Mounting
 T = Flush Mounting With Threaded Inserts
 Z = Flush Mounting With Side Holes

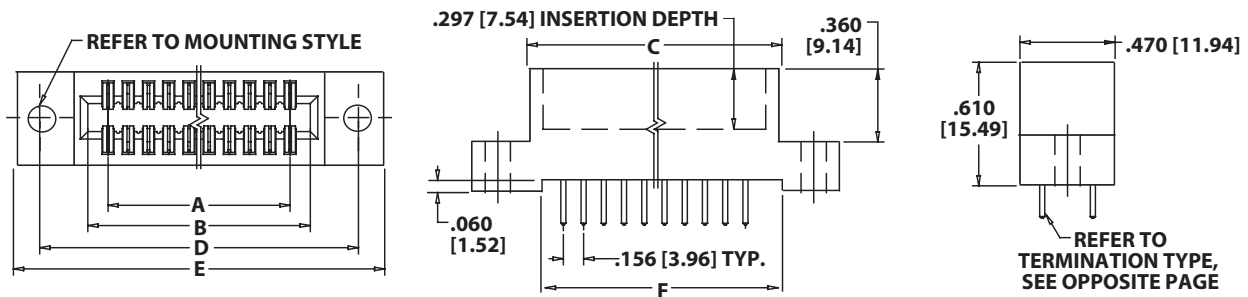
TERMINATION TYPE (Opposite Page)
 RS = .025" [.64mm] Square Dip Solder
 RM = .025" [.64mm] Square Wire Wrap
 TA, TB, TM = .025" [.64mm] Square Right Angle

READOUT (Opposite Page)
 D = Dual

NUMBER OF CONTACT POSITIONS
 See Chart Below

DIMENSIONS

Dimensions in [] are in millimeters, all others are in inches.



Tolerances with PPS Insulator Material may vary slightly due to shrinkage differential: Consult Factory.

POSITIONS/ CONTACTS	INCHES						[MILLIMETERS]					
	A±.008	B±.008	C±.015	D±.010	E±.020	F±.015	A±0.20	B±0.20	C±0.38	D±0.25	E±0.51	F±0.38
06/12	0.780	1.102	1.221	1.534	1.784	1.104	19.81	27.99	31.01	38.96	45.31	28.04
08/16	1.092	1.414	1.533	1.846	2.096	1.416	27.74	35.92	38.94	46.89	53.24	35.97
10/20*	1.404	1.726	1.845	2.158	2.408	1.728	35.66	43.84	46.86	54.81	61.16	43.89
12/24	1.716	2.038	2.157	2.470	2.720	2.040	43.59	51.77	54.79	62.74	69.09	51.82
15/30*	2.184	2.506	2.625	2.938	3.188	2.508	55.47	63.65	66.68	74.63	80.98	63.70
18/36*	2.652	2.974	3.093	3.406	3.656	2.976	67.36	75.54	78.56	86.51	92.86	75.59
20/40*	2.964	3.286	3.405	3.718	3.968	3.288	75.29	83.46	86.49	94.44	100.79	83.52
22/44	3.276	3.598	3.717	4.030	4.280	3.600	83.21	91.39	94.41	102.36	108.71	91.44
24/48*	3.588	3.910	4.029	4.342	4.592	3.912	91.14	99.31	102.34	110.29	116.64	99.37
25/50*	3.744	4.066	4.185	4.498	4.748	4.068	95.10	103.28	106.30	114.25	120.60	103.33
28/56*	4.212	4.534	4.653	4.966	5.216	4.536	106.98	115.16	118.19	126.14	132.49	115.21
30/60*	4.524	4.846	4.965	5.278	5.528	4.848	114.91	123.09	126.11	134.06	140.41	123.14
31/62*	4.680	5.002	5.121	5.434	5.684	5.004	118.87	127.05	130.07	138.02	144.37	127.10
36/72	5.460	5.782	5.901	6.214	6.464	5.784	138.68	146.86	149.89	157.84	164.19	146.91
40/80*	6.084	6.406	6.525	6.838	7.088	6.408	154.53	162.71	165.74	173.69	180.04	162.76
43/86*	6.552	6.874	6.993	7.306	7.556	6.876	166.42	174.60	177.62	185.57	191.92	174.65

* Consult Factory for availability.